



ECON® Ball valve Type: 7645 Stainless steel Butt welded loose end B16.25 S40 1000 PSI WOG



Characteristics

- Type:** 7645
- Norm:** ASME
- Construction type:** 2-way
- Housing construction:** 3-part
- Housing material:** Stainless steel
- Material quality:** ASTM A351 CF8M
- Connection:** Butt welded loose end
- Standard welding connection:** B16.25 S40
- Top flange standard:** ISO 5211
- Bore:** Full bore
- Material ball:** ASTM A351 CF8M
- Seat material:** TF 4103
- Spindle material:** ASTM A276 316
- Primary spindle seal material:** PTFE
- Tertiary spindle seal material:** PTFE
- Body seal:** PTFE
- Material connection piece:** ASTM A351 CF3M
- Actuator material:** 1.4301
- Minimum medium temperature (continuous):** -29 °C
- Maximum medium temperature (continuous):** 200 °C

Application

- Industrial applications up to 68 bar.
- Optional: cold applications, ammonia and CO2 installations, to as low as -40°C.
- Recommended in: Food & Beverages

Technical Information

- Connection according to ASME B16.25, Schedule 40 (butt-welding)
- Floating ball.
- Pressure class 1000 PSI WOG
- In sizes 0.5-3inches
- With top-flange in accordance with ISO 5211.
- Double self-adjusting gland packing
- Equipped with lockable lever and T-wrench for 2.5 and 3inch
- Optional cold application: Shut-off valve with pressure relief hole in "upstream" ball, thus unidirectional (flow arrow on housing), possibly in combination with an extension spindle (type 7645X)

Construction

- Three-piece housing construction.
- Design in accordance with MSS SP-110.
- Full bore.
- Equipped with anti-static design between ball, spindle and housing.

Execution

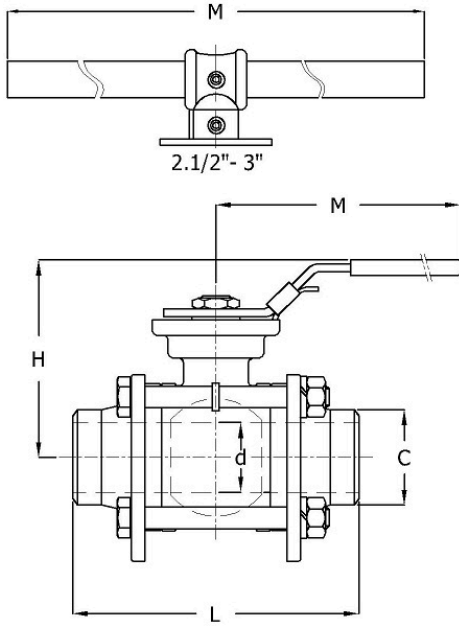
- Quick-weld model: fast, efficient mounting and positioning after welding via freely rotating butt-weld ends

Approval

- Declaration of conformity according to EC 1935/2004.

Options

- Equipped with worm gearbox and pneumatic, electric or hydraulic actuators.
- Position feedback for manual or automated valves.
- Spindle extension, type 7645X, with "direct-mount" flange on top, suitable for direct mounting of drives



Size table:

DN	d	L	H	M	C	Weight
	mm	mm	mm	mm	mm	kg
1/2" [15]	15	73	83	135	22	0.7
3/4" [20]	20	90	88	135	28	0.9
1" [25]	25	100	98	170	34	1.4
1.1/4" [32]	32	110	103	170	43	2.1
1.1/2" [40]	38	125	110	200	50	3
2" [50]	50	150	119	200	61	4.3
2.1/2" [65]	63.5	190	155	250	76	8.3

Pressure and temperature range							
Size	Temperature range	-29	38	100	150	200	[°C]
1/4" - 2"	-29°C/+200°C	68	68	44	22	1	[bar]
2.1/2"	-29°C/+200°C	50	50	32	16	1	[bar]

Pressure class 1000 PSI WOG.

Optional: low temperature application to -40°C with stem extension and pressure relief hole in the ball.

Nominal inner diameter	External tube diameter of connection	Wall thickness, connection	Pressure rating	Face to Face norm	Manual operation	Mounting flange	With locking device	Maximum operating pressure	Pressure relief	Article
	mm	mm						bar		
1/2" [15]	22	3.1	1000 PSI WOG	Manufacturer standard	Handle	F04	Yes	63	No	12398612
1/2" [15]	22	3.1	1000 PSI WOG	Manufacturer standard	Handle	F04	Yes	63	Yes	12725847
3/4" [20]	28	3.55	1000 PSI WOG	Manufacturer standard	Handle	F04	Yes	63	No	12712684
3/4" [20]	28	3.55	1000 PSI WOG	Manufacturer standard	Handle	F04	Yes	63	Yes	12725849
1" [25]	34	3.65	1000 PSI WOG	Manufacturer standard	Handle	F05	Yes	63	Yes	12725844
1" [25]	34	3.65	1000 PSI WOG	Manufacturer standard	Handle	F05	Yes	63	No	12569286
1.1/4" [32]	43	3.95	1000 PSI WOG	Manufacturer standard	Handle	F05	Yes	63	No	12725843
1.1/4" [32]	43	3.95	1000 PSI WOG	Manufacturer standard	Handle	F05	Yes	63	Yes	12725846
1.1/2" [40]	50	4.55	1000 PSI WOG	Manufacturer standard	Handle	F07	Yes	63	Yes	12725845
1.1/2" [40]	50	4.55	1000 PSI WOG	Manufacturer standard	Handle	F07	Yes	63	No	12398930
2" [50]	61	4.25	1000 PSI WOG	Manufacturer standard	Handle	F07	Yes	63	Yes	12590784
2" [50]	61	4.25	1000 PSI WOG	Manufacturer standard	Handle	F07	Yes	63	No	12255661
2.1/2" [65]	76	6.65	1000 PSI WOG	Manufacturer standard	T-wrench	F10	No	51	No	12675912

Disclaimer: The content of this document has been composed with the utmost care. However, it is possible that certain information changes over time, becomes inaccurate or incomplete. ERIKS does not guarantee that the information provided on this document is up to date, accurate and complete; the information provided is not intended to be advice. ERIKS shall never be liable for damage resulting from the use of the information provided.

Ball Valves | Ball valves with welding connection

Nominal inner diameter	External tube diameter of connection mm	Wall thickness, connection mm	Pressure rating	Face to Face norm	Manual operation	Mounting flange	With locking device	Maximum operating pressure bar	Pressure relief	Article
2.1/2" (65)	76	6.65	1000 PSI WOG	Manufacturer standard	T-wrench	F10	No	51	Yes	12725848

Disclaimer: The content of this document has been composed with the utmost care. However, it is possible that certain information changes over time, becomes inaccurate or incomplete. ERIKS does not guarantee that the information provided on this document is up to date, accurate and complete; the information provided is not intended to be advice. ERIKS shall never be liable for damage resulting from the use of the information provided.