

## BAC Ball valve Series: FB Type: 7357 Steel Fire safe Flange Class 300



### Characteristics

**Series:** FB  
**Type:** 7357  
**Norm:** ASME  
**Construction type:** 2-way  
**Housing construction:** 2-part  
**Housing material:** Steel  
**Material quality:** ASTM A216 WCC  
**Surface protection:** Epoxy coating [external]  
**Connection:** Flange  
**Flange finish:** Raised face - 125/250AARH  
**Top flange standard:** ISO 5211  
**Spindle material:** ASTM A479 316  
**Primary spindle seal material:** PTFE  
**Secondary spindle seal material:** FPM (FKM)/PTFE  
**Tertiary spindle seal material:** Graphite  
**Fire safe:** Yes

### Application

- Heavy-duty industrial applications up to 50bar.
- Recommended in: Chemical

### Technical Information

- Flanged connection in accordance with ASME B16.5 RF.
- Floating ball.
- ASME pressure rating: class 300.
- With top-flange in accordance with ISO 5211.
- Media temperature:  $-30/+230^{\circ}\text{C}$ .
- 1/2-inch to 1.1/2-inch versions with handle.
- 2" to 8" versions with T-bar.

### Construction

- Two-piece housing construction.
- Design in accordance with EN 17292.
- Full flow capacity.
- Equipped with antistatic design between ball and housing.
- In accordance with NACE MR0103.
- Construction length in accordance with ASME B16.10.

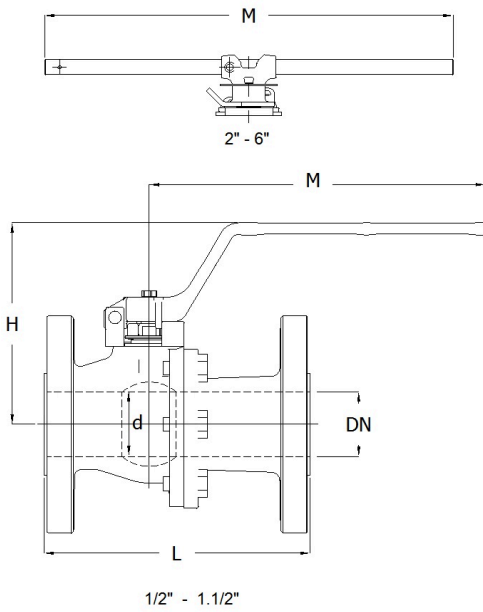
### Approval

- Fire-safe certified in accordance with ISO 10497 and API 607.
- Fugitive emissions certified according to TA Luft.
- Fugitive emissions certified in accordance with ISO 15848-1, class BH.
- Safety integrity level IEC 61508 SIL3.

### Options

- Equipped with worm gearbox and pneumatic, electric or hydraulic actuators.
- Position feedback for manual or automated valves.
- Stainless-steel extended spindle for insulation [type 7399].
- Other seat materials.

Size table:



DN	d mm	L mm	H mm	M mm	Weight kg
1/2" [15]	14	140	117	180	2.4
3/4" [20]	19	152	124	180	4.8
1" [25]	24	165	128	180	5.7
1.1/2" [40]	38	190	142	240	10.4
2" [50]	50	216	160	350	15
3" [80]	76	282	199	600	32.5
4" [100]	100	305	217	600	49.8
6" [150]	151	403	277	750	112.7

Size	Pressure rating	Pressure and temperature range						[°C]
		-30	38	93	149	204	230	
1/2" - 2"	Class 300	50	50	43	34	12	0	[bar]
3" - 6"	Class 300	50	50	35	26	8	0	[bar]
8"	Class 300	34	32	23	16	5	0	[bar]

Nominal inner diameter	Pressure rating	Face to Face norm	Manual operation	Mounting flange	Bore	Material ball	Seat material	Body seal	Actuator material	Article
1/2" [15]	Class 300	ASME B16.10, T2, Serie 7	Handle	F03	Full bore	ASTM A351 CF8M	TFM 1600	Graphite	1.4301	11814351
3/4" [20]	Class 300	ASME B16.10, T2, Serie 7	Handle	F03	Full bore	ASTM A351 CF8M	TFM 1600	Graphite	1.4301	11814352
1" [25]	Class 300	ASME B16.10, T2, Serie 7	Handle	F03	Full bore	ASTM A351 CF8M	TFM 1600	Graphite	1.4301	11814353
1.1/2" [40]	Class 300	ASME B16.10, T2, Serie 7	Handle	F05	Full bore	ASTM A351 CF8M	TFM 1600	Graphite	1.4301	11814354
2" [50]	Class 300	ASME B16.10, T2, Serie 7	T-wrench	F05	Full bore	ASTM A351 CF8M	TFM 1600	PTFE/Graphite	Steel, galvanized	12725819
3" [80]	Class 300	ASME B16.10, T2, Serie 7	T-wrench	F07	Full bore	ASTM A351 CF8M	TFM 1600	PTFE/Graphite	Steel, galvanized	12725820
4" [100]	Class 300	ASME B16.10, T2, Serie 7	T-wrench	F10	Full bore	ASTM A351 CF8M	TFM 1600	PTFE/Graphite	Steel, galvanized	12606677
6" [150]	Class 300	ASME B16.10, T2, Serie 7	T-wrench	F12	Full bore	ASTM A351 CF8M	TFM 1600	PTFE/Graphite	Steel, galvanized	13426512

Disclaimer: The content of this document has been composed with the utmost care. However, it is possible that certain information changes over time, becomes inaccurate or incomplete. ERIKS does not guarantee that the information provided on this document is up to date, accurate and complete; the information provided is not intended to be advice. ERIKS shall never be liable for damage resulting from the use of the information provided.