



ECON® Ball valve Type: 1607ES Brass Pneumatic operated Single acting, spring closing Internal thread (BSPP) PN25/40

Mounted pneumatically operated 2-way ball valve consisting of: Two-piece Econ® ball valve (type: 1607ISO) and single-acting pneumatic Econ® actuator (type: 7901).

The pneumatically operated 2-way ball valve is configured according to the following basic principles: Pneumatic pilot pressure at 6 bar, medium is water, medium temperature is max. 100°C, ball valve is actuated at least a few times daily, actuator structure according to Eriks standard.

Characteristics

- Type:** 1607ES
- Norm:** EN (DIN)
- Construction type:** 2-way
- Housing construction:** 2-part
- Housing material:** Brass
- Material quality:** CW617N
- Surface protection:** Nickel-plated
- Connection:** Internal thread (BSPP)
- Actuator:** Pneumatic operated
- Operating principle:** Single acting, spring closing
- Top flange standard:** ISO 5211 Direct Mount
- Primary spindle seal material:** PTFE
- Secondary spindle seal material:** HNBR
- Tertiary spindle seal material:** PTFE
- Body seal:** PTFE
- Actuator material:** Aluminium
- Minimum medium temperature (continuous):** 0 °C
- Maximum medium temperature (continuous):** 130 °C

Application

- HVAC, water and compressed air systems.

Technical Information

- Connections with female threads in accordance with EN 10226-1 (ISO 7/1).
- Available in sizes ranging from 1/2" to 2".
- Pressure class PN40 for 0.5-1.25 inch and PN25 for 1.5-2 inch
- Actuator with multifunctional position indicator, suitable for mechanical limit switches or double proximity sensors.
- Air supply and upper flanged connection of drive in accordance with NAMUR VDI/VDE 3845.

Construction

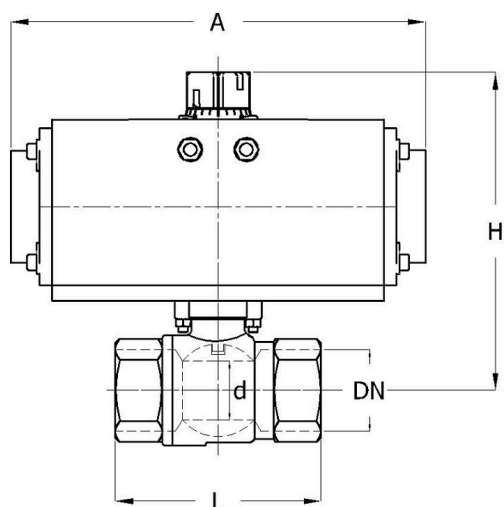
- Two-piece housing construction.
- Design in accordance with EN 13828.
- Full bore.
- Face-to-face dimension according to manufacturer's standard.

Options

- With double acting pneumatic drive, type 1607ED
- End of service life signalling through switch box or double sensor, type 79650 to 79659
- Positioner, type 3303
- Namur control valve, type 33580

Ball Valves | Automated ball valves with threaded connection

Size table:



DN	d mm	L mm	H mm	A mm	Weight kg
1/2" [15]	15	75	134	163	1.72
3/4" [20]	20	80	136.5	163	1.81
1" [25]	25	90	140	163	2.04
1.1/4" [32]	32	110	170	195	3.17
1.1/2" [40]	40	120	198.5	217	4.76
2" [50]	50	140	210	217	5.59

Size	Pressure class	Pressure and temperature range			
		-20	90	130	[°C]
1/2" - 1.1/4"	PN40	40	25	16	[bar]
1.1/2" - 2"	PN25	25	15	10	[bar]

Nominal inner diameter	Standard thread connection	Pressure rating	Face to Face norm	Type coding actuator	Brand actuator	Bore	Material ball	Seat material	Spindle material	Article
1/2" [15]	ISO 7/1 Rp	PN40	Manufacturer standard	SR20	ECON	Full bore	CW614N chromed	PTFE	Brass	13475756
3/4" [20]	ISO 7/1 Rp	PN40	Manufacturer standard	SR20	ECON	Full bore	CW614N chromed	PTFE	Brass	13475757
1" [25]	ISO 7/1 Rp	PN40	Manufacturer standard	SR20	ECON	Full bore	CW614N chromed	PTFE	Brass	13475758
1.1/4" [32]	ISO 7/1 Rp	PN25	Manufacturer standard	SR40	ECON	Full bore	CW614N chromed	PTFE	Brass	13475759
1.1/2" [40]	ISO 7/1 Rp	PN25	Manufacturer standard	SR80	ECON	Full bore	CW614N chromed	PTFE	Brass	13475760
2" [50]	ISO 7/1 Rp	PN25	Manufacturer standard	SR80	ECON	Full bore	CW614N chromed	PTFE	Brass	13475761

Disclaimer: The content of this document has been composed with the utmost care. However, it is possible that certain information changes over time, becomes inaccurate or incomplete. ERIKS does not guarantee that the information provided on this document is up to date, accurate and complete; the information provided is not intended to be advice. ERIKS shall never be liable for damage resulting from the use of the information provided.