



ECON® Butterfly valve Type: 9330 Steel/Stainless steel Double-eccentric Bare stem Lug type



Characteristics

Type: 9330
Norm: EN (DIN)
Valve design: Double-eccentric
Housing material: Steel
Material quality: ASTM A216 WCB
Connection: Lug type
Standard connection: EN (DIN)
Face to Face norm: EN 558, Series 20
Operation: Bare stem
Top flange standard: ISO 5211 Direct Mount
Disk material: Stainless steel

Application

- Heavy industrial, maritime, chemical and petrochemical applications where rubber-lined butterfly valves cannot be used due to their limited pressure and temperature range.
- Recommended in: Chemical

Technical Information

- High-performance steel butterfly valve.
- Patented seat construction for 100% bi-directional seal.
- Full-length shaft-disc construction and replaceable seat.
- One-piece spindle in an anti-blowout design.
- Antistatic version with ground connection.
- Dimensions in DN50 to DN600 [2" bis 24"].
- Drilled in dimensions DN50 to DN600 PN10 or PN16.
- With "direct mount" top-flange in accordance with ISO-5211.
- Version with free shaft end (no actuation).
- The following applies to the PTFE (TF 1641) version: All components intended to come into contact with food comply with EC1935 und FDA.
- Medium temperature with standard seat made of PTFE (TF 1641): -29/+210°C, with RPTFE seat: 29/+250&°C, with seat of Inconel B637: -29/+500°C.

Construction

- Socket outlet.
- Double-eccentric.
- Design in accordance with API 609 and ASME B16.34.
- Construction length in accordance with EN 558, series 20.
- Suitable for mounting with flanges in accordance with EN 1092-1.
- Nominal pressure class is Class 150 (PN20).
- Charpy impact test at -29°C.
- Tested according to EN12266-1 rate A for EN- or according to API 598 for ASME valves.

Approval

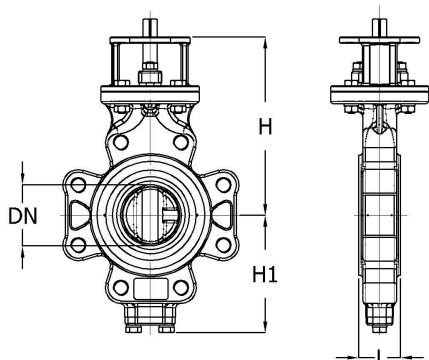
- PED module H in accordance with 2014/68/EU.
- SIL 2 in accordance with IEC 61508-1 and SIL 3 with duplicate design in series or in parallel [redundancy].
- Declaration of conformity in accordance with EC 1935/2004 and FDA.

Options

- DN50 to DN600 can also be design with drilling Class 150.
- Design pressure class PN25, PN40, Class 300.
- Available as a socket or double-flange model.
- Available in stainless steel.
- Equipped with lever, worm gearbox and pneumatic, electric or hydraulic actuators.
- Position feedback for manually actuated or automated valves.
- Available with other seat materials such as R-PTFE and metal seat (Inconel).
- Certified fire-safe design available.
- Larger dimensions up to DN1200 in PN10/PN16/PN25 of Class 150 and up to DN600 in PN40 of Class 300.
- Spindle seal in accordance with ISO 15848-1-CO3 Class BH for fugitive emissions.

Disclaimer: The content of this document has been composed with the utmost care. However, it is possible that certain information changes over time, becomes inaccurate or incomplete. ERIKS does not guarantee that the information provided on this document is up to date, accurate and complete; the information provided is not intended to be advice. ERIKS shall never be liable for damage resulting from the use of the information provided.

Size table:



DN	H mm	H1 mm	L mm	Weight kg
DN50	178	99	43	4.9
DN65	185	110	46	5.5
DN80	210	128	46	8.5
DN100	227	150	52	14
DN125	240	163	56	18
DN150	255	176	56	19.5
DN200	300	206	62	31
DN250	340	238	68	47
DN300	390	269	78	67

Maximum operating pressure	Temperature range
20 bar	-29°C tot 210°C*
* Metal seat execution up to 500°C.	

Nominal inner diameter	Pressure rating	Pressure rating flange	Face to Face length mm	Seat material	Article
DN50	PN16	PN10/16	43	PTFE	13417048
DN50	PN16	PN10/16	43	RPTFE + Graphite	13491641
DN65	PN16	PN10/16	46	PTFE	13417049
DN65	PN16	PN10/16	46	RPTFE + Graphite	13491642
DN80	PN16	PN10/16	46	PTFE	13417050
DN80	PN16	PN10/16	46	RPTFE + Graphite	13491643
DN100	PN16	PN10/16	52	PTFE	13417051
DN100	PN16	PN10/16	52	RPTFE + Graphite	13491644
DN125	PN16	PN10/16	56	PTFE	13417052
DN125	PN16	PN10/16	56	RPTFE + Graphite	13491645
DN150	PN16	PN10/16	56	PTFE	13417053
DN150	PN16	PN10/16	56	RPTFE + Graphite	13491646
DN200	PN16	PN16	62	PTFE	13417054
DN200	PN16	PN16	62	RPTFE + Graphite	13491647
DN250	PN16	PN16	68	PTFE	13417055
DN250	PN16	PN16	68	RPTFE + Graphite	13491678
DN300	PN16	PN16	78	PTFE	13417056
DN300	PN16	PN16	78	RPTFE + Graphite	13491679

Disclaimer: The content of this document has been composed with the utmost care. However, it is possible that certain information changes over time, becomes inaccurate or incomplete. ERIKS does not guarantee that the information provided on this document is up to date, accurate and complete; the information provided is not intended to be advice. ERIKS shall never be liable for damage resulting from the use of the information provided.