



ECON® Butterfly valve Type: 6330 Ductile cast iron/Stainless steel EC1935 Bare stem Wafer type



Characteristics

Type: 6330
Norm: EN (DIN)
Valve design: Centric
Housing material: Ductile cast iron
Material quality: EN-JS1030
Surface protection: Epoxy coating (external)
Connection: Wafer type
Standard connection: EN (DIN)/ ASME
Face to Face norm: EN 558, Series 20
Operation: Bare stem
Top flange standard: ISO 5211 Direct Mount
Housing lining: Replaceable
Disk material: Stainless steel
Quality class disc: 1.4408

Application

- Industrial applications such as (drinking) water, hydrocarbons and slightly corrosive fluids and gases.
- Food applications for which the EC1935 standard is required.
- Recommended in: Chemical, Food & Beverages

Technical Information

- Fitted with replaceable lining.
- One-piece spindle in an anti-blowout design with a two-piece spindle from DN 350.
- With direct mount top-flange in accordance with ISO 5211.
- Three-point spindle bearing for excellent life cycle management.
- Grooved connection between spindle and valve disc.
- The body is provided with a two-layer epoxy coating with the upper layer in RAL 5015.
- Dimensions in DN 50-DN 600 [2" to 24"].
- Flange connection pressure class for DN 50-DN300 [2" to 12"]: PN 6, PN 10, PN 16 and class 150. For DN 350-DN 600 [14" to 24"]: PN 10, PN 16 and class 150.
- Maximum medium temperature depends on the lining: EPDM -10 to +140°C.

Construction

- Wafer connection type.
- Design according to EN 593, API 609 and ASME B16.34.
- The pressure class of the standard design is PN 16 for DN 50 to DN 200 and PN 10 for DN 250 to DN 600.
- Construction length according to EN 558 series 20, ISO 5752 series 20 and API 609 category A.
- Suitable for mounting with flanges according to EN 1092-2 and ASME B16.5 class 150.
- Bi-directional bubble-tight sealing according to EN 12266 rate A and API 598.

Approval

- Food approval according to EC1935 and FDA.

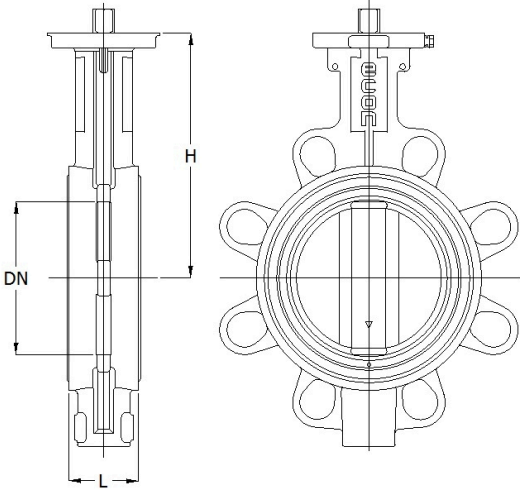
Options

- Available as a socket type (series 64).
- Equipped with lever, worm gearbox and pneumatic, electric or hydraulic actuators.
- Position feedback for manually actuated or automated valves.
- DN 250 to DN 600 in pressure class PN 16.

Disclaimer: The content of this document has been composed with the utmost care. However, it is possible that certain information changes over time, becomes inaccurate or incomplete. ERIKS does not guarantee that the information provided on this document is up to date, accurate and complete; the information provided is not intended to be advice. ERIKS shall never be liable for damage resulting from the use of the information provided.

Size table:

DN	H mm	L mm	Weight kg
DN50	143	43	2.7
DN65	155	46	3.4
DN80	162	46	4.4
DN100	181	52	5.3
DN125	197	56	7.6
DN150	210	56	9.5
DN200	240	60	14.6
DN250	286	68	21.5
DN300	309	78	32



Temperature and pressure range					
Size	Liner	Pressure rating	Temperature range	Maximum operating pressure	
DN50 - DN200	EPDM	PN16	-10°/+140°C	16	[bar]
DN250 - DN300	EPDM	PN10	-10°/+140°C	10	[bar]
DN50 - DN200	EPDM-White	PN16	-10°/+140°C	6	[bar]
DN250 - DN300	EPDM-White	PN10	-10°/+140°C	6	[bar]

Nominal inner diameter	Pressure rating	Pressure rating flange	Face to Face length	Material liner	Spindle material	Quality class spindle	Minimum medium temperature (continuous)	Maximum medium temperature (continuous)	Article
			mm				°C	°C	
DN50 - 2"	PN16	PN6/10/16 and Class 150	43	EPDM-EC1935	Stainless steel	1.4006	-10	140	13261871
DN50 - 2"	PN16	PN6/10/16 and Class 150	43	White EPDM-EC1935	Stainless steel	1.4006	-10	140	13652969
DN65 - 2.1/2"	PN16	PN6/10/16 and Class 150	46	EPDM-EC1935	Stainless steel	1.4006	-10	140	13261872
DN65 - 2.1/2"	PN16	PN6/10/16 and Class 150	46	White EPDM-EC1935	Stainless steel	1.4006	-10	140	13652970
DN80 - 3"	PN16	PN6/10/16 and Class 150	46	EPDM-EC1935	Stainless steel	1.4006	-10	140	13261873
DN80 - 3"	PN16	PN6/10/16 and Class 150	46	White EPDM-EC1935	Stainless steel	1.4006	-10	140	13652972
DN100 - 4"	PN16	PN6/10/16 and Class 150	52	EPDM-EC1935	Stainless steel	1.4006	-10	140	13261874
DN100 - 4"	PN16	PN6/10/16 and Class 150	52	White EPDM-EC1935	Stainless steel	1.4006	-10	140	13652974
DN125 - 5"	PN16	PN6/10/16 and Class 150	56	EPDM-EC1935	Stainless steel	1.4006	-10	140	13261875
DN125 - 5"	PN16	PN6/10/16 and Class 150	56	White EPDM-EC1935	Stainless steel	1.4006	-10	140	13652976
DN150 - 6"	PN16	PN6/10/16 and Class 150	56	EPDM-EC1935	Stainless steel	1.4006	-10	140	13261876

Disclaimer: The content of this document has been composed with the utmost care. However, it is possible that certain information changes over time, becomes inaccurate or incomplete. ERIKS does not guarantee that the information provided on this document is up to date, accurate and complete; the information provided is not intended to be advice. ERIKS shall never be liable for damage resulting from the use of the information provided.

Nominal inner diameter	Pressure rating	Pressure rating flange	Face to Face length	Material liner	Spindle material	Quality class spindle	Minimum medium temperature (continuous)	Maximum medium temperature (continuous)	Article
			mm				°C	°C	
DN150 - 6"	PN16	PN6/10/16 and Class 150	56	White EPDM-EC1935	Stainless steel	1.4006	-10	140	13652978
DN200 - 8"	PN16	PN6/10/16 and Class 150	60	EPDM-EC1935	Stainless steel	1.4006	-10	140	13261877
DN200 - 8"	PN16	PN6/10/16 and Class 150	60	White EPDM-EC1935	Stainless steel	1.4006	-10	140	13652980
DN250 - 10"	PN10	PN6/10/16 and Class 150	68	EPDM-EC1935	Stainless steel	1.4006	-10	140	13261878
DN250 - 10"	PN10	PN6/10/16 and Class 150	68	White EPDM-EC1935	Stainless steel	1.4006	-10	140	13652981
DN300 - 12"	PN10	PN6/10/16 and Class 150	78	EPDM-EC1935	Stainless steel	1.4006	-10	140	13261879
DN300 - 12"	PN10	PN6/10/16 and Class 150	78	White EPDM-EC1935	Stainless steel	1.4006	-10	140	13652983

Disclaimer: The content of this document has been composed with the utmost care. However, it is possible that certain information changes over time, becomes inaccurate or incomplete. ERIKS does not guarantee that the information provided on this document is up to date, accurate and complete; the information provided is not intended to be advice. ERIKS shall never be liable for damage resulting from the use of the information provided.