



## ECON® Butterfly valve Type: 6330 Ductile cast iron/Stainless steel Bare stem Wafer type

### Characteristics

- Type:** 6330
- Norm:** EN [DIN]
- Valve design:** Centric
- Housing material:** Ductile cast iron
- Material quality:** EN-JS1030
- Surface protection:** Epoxy coating [external]
- Connection:** Wafer type
- Standard connection:** EN [DIN]/ ASME
- Face to Face norm:** EN 558, Series 20
- Operation:** Bare stem
- Top flange standard:** ISO 5211 Direct Mount
- Housing lining:** Replaceable
- Disk material:** Stainless steel
- Quality class disc:** 1.4408

### Application

- Industrial applications such as water, hydrocarbons and slightly corrosive fluids and gases.
- Supply systems (HVAC).
- Recommended in: Chemical

### Technical Information

- Fitted with replaceable lining.
- One-piece spindle in an anti-blowout design with a two-piece spindle from DN 350.
- With direct mount top-flange in accordance with ISO 5211.
- Three-point spindle bearing for excellent life cycle management.
- Grooved connection between spindle and valve disc.
- The body is provided with a two-layer epoxy coating with the upper layer in RAL 5015.
- Dimensions in DN 50-DN 600 [2" to 24"].
- Flange connection pressure class for DN 50-DN300 [2" to 12"]: PN 6, PN 10, PN 16 and class 150. For DN 350-DN 600 [14" to 24"]: PN 10, PN 16 and class 150.
- Maximum medium temperature depends on the lining: EPDM -10 to +140°C, NBR -10 to +100°C, FPM [FKM] -10 to +204°C.

### Construction

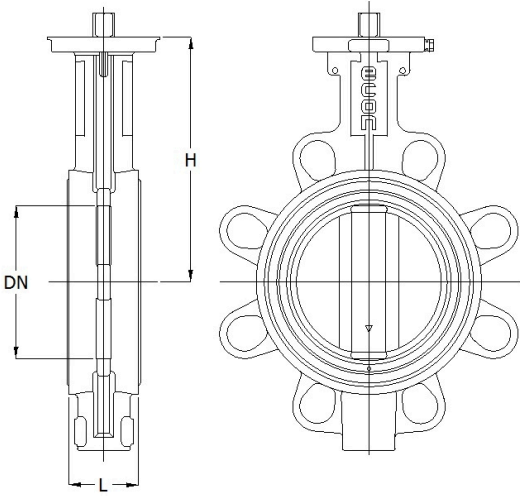
- Wafer connection type.
- Design according to EN 593, API 609 and ASME B16.34.
- The pressure class of the standard design is PN 16 for DN 50 to DN 200 and PN 10 for DN 250 to DN 600.
- Construction length according to EN 558 series 20, ISO 5752 series 20 and API 609 category A.
- Suitable for mounting with flanges according to EN 1092-2 and ASME B16.5 class 150.
- Bi-directional bubble-tight sealing according to EN 12266 rate A and API 598.

### Options

- Available as a socket type [series 64].
- Equipped with lever, worm gearbox and pneumatic, electric or hydraulic actuators.
- Position feedback for manually actuated or automated valves.
- Available with other lining materials: white EPDM EC1935, black EPDM EC1935, HNBR, silicone, CR [neoprene] and CSM [Hypalon].
- Available with valve disc in aluminium bronze, Hastelloy, Monel, Inconel, titanium or Uranus B.
- Available with a steel or stainless steel body.
- DN 250 to DN 600 in pressure class PN 16.
- The shut-off valve is also available in a design that meets the requirements of EC1935. This standard applies to all materials that come into direct or indirect contact with food.

Size table:

DN	H mm	L mm	Weight kg
DN50	143	43	2.7
DN65	155	46	3.4
DN80	162	46	4.4
DN100	181	52	5.3
DN125	197	56	7.6
DN150	210	56	9.5
DN200	240	60	14.6
DN250	286	68	21.5
DN300	309	78	32



Temperature and pressure range				
Size	Liner	Pressure rating	Temperature range	Maximum operating pressure
DN50 - DN200	EPDM or NBR	PN16	EPDM -10°/+140°C, NBR -10°/+100°C	16 [bar]
DN250 - DN600	EPDM or NBR	PN10	EPDM -10°/+140°C, NBR -10°/+100°C	10 [bar]

Nominal inner diameter	Pressure rating	Pressure rating flange	Face to Face length mm	Material liner	Spindle material	Quality class spindle	Minimum medium temperature [continuous] °C	Maximum medium temperature [continuous] °C	Article
DN50 - 2"	PN16	PN6/10/16 and Class 150	43	EPDM	Stainless steel	1.4006	-10	140	EC6330E0050A-ABA
DN50 - 2"	PN16	PN6/10/16 and Class 150	43	FPM [FKM]	Stainless steel	1.4006	-10	204	EC6330E0050A-ACA
DN50 - 2"	PN16	PN6/10/16 and Class 150	43	NBR	Stainless steel	1.4006	-10	100	EC6330E0050A-AAA
DN65 - 2.1/2"	PN16	PN6/10/16 and Class 150	46	EPDM	Stainless steel	1.4006	-10	140	EC6330E0065A-ABA
DN65 - 2.1/2"	PN16	PN6/10/16 and Class 150	46	FPM [FKM]	Stainless steel	1.4006	-10	204	EC6330E0065A-ACA
DN65 - 2.1/2"	PN16	PN6/10/16 and Class 150	46	NBR	Stainless steel	1.4006	-10	100	EC6330E0065A-AAA
DN80 - 3"	PN16	PN6/10/16 and Class 150	46	EPDM	Stainless steel	1.4006	-10	140	EC6330E0080A-ABA
DN80 - 3"	PN16	PN6/10/16 and Class 150	46	FPM [FKM]	Stainless steel	1.4006	-10	204	EC6330E0080A-ACA
DN80 - 3"	PN16	PN6/10/16 and Class 150	46	NBR	Stainless steel	1.4006	-10	100	EC6330E0080A-AAA
DN100 - 4"	PN16	PN6/10/16 and Class 150	52	EPDM	Stainless steel	1.4006	-10	140	EC6330E0100A-ABA
DN100 - 4"	PN16	PN6/10/16 and Class 150	52	NBR	Stainless steel	1.4006	-10	100	EC6330E0100A-AAA
DN125 - 5"	PN16	PN6/10/16 and Class 150	56	EPDM	Stainless steel	1.4006	-10	140	EC6330E0125AABA
DN125 - 5"	PN16	PN6/10/16 and Class 150	56	FPM [FKM]	Stainless steel	1.4006	-10	204	EC6330E0125A-ACA
DN125 - 5"	PN16	PN6/10/16 and Class 150	56	NBR	Stainless steel	1.4006	-10	100	EC6330E0125A-AAA

Disclaimer: The content of this document has been composed with the utmost care. However, it is possible that certain information changes over time, becomes inaccurate or incomplete. ERIKS does not guarantee that the information provided on this document is up to date, accurate and complete; the information provided is not intended to be advice. ERIKS shall never be liable for damage resulting from the use of the information provided.

Nominal inner diameter	Pressure rating	Pressure rating flange	Face to Face length mm	Material liner	Spindle material	Quality class spindle	Minimum medium temperature (continuous) °C	Maximum medium temperature (continuous) °C	Article
DN150 - 6"	PN16	PN6/10/16 and Class 150	56	EPDM	Stainless steel	1.4006	-10	140	EC6330E0150AABA
DN150 - 6"	PN16	PN6/10/16 and Class 150	56	FPM (FKM)	Stainless steel	1.4006	-10	204	EC6330E0150AACA
DN200 - 8"	PN16	PN6/10/16 and Class 150	60	EPDM	Stainless steel	1.4006	-10	140	EC6330E0200AABA
DN200 - 8"	PN16	PN6/10/16 and Class 150	60	FPM (FKM)	Stainless steel	1.4006	-10	204	EC6330E0200AACA
DN250 - 10"	PN10	PN6/10/16 and Class 150	68	EPDM	Stainless steel	1.4006	-10	140	EC6330E0250BABA
DN250 - 10"	PN10	PN6/10/16 and Class 150	68	FPM (FKM)	Stainless steel	1.4006	-10	204	EC6330E0250BACA
DN250 - 10"	PN10	PN6/10/16 and Class 150	68	NBR	Stainless steel	1.4006	-10	100	EC6330E0250BAAA
DN300 - 12"	PN10	PN6/10/16 and Class 150	78	EPDM	Stainless steel	1.4006	-10	140	EC6330E0300BABA
DN300 - 12"	PN10	PN6/10/16 and Class 150	78	FPM (FKM)	Stainless steel	1.4006	-10	204	EC6330E0300BACA
DN300 - 12"	PN10	PN6/10/16 and Class 150	78	NBR	Stainless steel	1.4006	-10	100	EC6330E0300BAAA

Disclaimer: The content of this document has been composed with the utmost care. However, it is possible that certain information changes over time, becomes inaccurate or incomplete. ERIKS does not guarantee that the information provided on this document is up to date, accurate and complete; the information provided is not intended to be advice. ERIKS shall never be liable for damage resulting from the use of the information provided.