



ECON® Butterfly valve Type: 6730 Ductile cast iron/Stainless steel Bare stem Wafer type

Characteristics

- Type:** 6730
Norm: EN [DIN]
Valve design: Centric
Housing material: Ductile cast iron
Material quality: EN-JS1030
Surface protection: Polyester powder coating min. 200µm
Connection: Wafer type
Standard connection: EN [DIN]/ ASME
Face to Face norm: EN 558, Series 20
Operation: Bare stem
Top flange standard: ISO 5211 Direct Mount
Housing lining: Replaceable
Disk material: Stainless steel
Quality class disc: 1.4408

Application

- Industrial applications such as water, hydrocarbons and slightly corrosive fluids and gases.
- Supply systems (HVAC), greenhouse construction, pulp and paper.
- Vacuum systems.
- Recommended in: Utilities

Technical Information

- With replaceable lining, vulcanised on a phenol or aluminium back-up ring.
- One-piece spindle in an anti-blowout design.
- With "direct mount" top-flange in accordance with ISO 5211.
- Long neck for insulation purposes.
- Three-point spindle bearing for excellent life cycle management.
- Grooved connection between the spindle and the valve disc for DN25 to DN300, larger formats have a plug-in connection between the spindle and the valve disc.
- Bronze bearing bushings.
- Housing with polyester powder coating, minimum thickness of 200 µm and RAL colour 5015.
- Version with free shaft end (no actuation).
- Dimensions in DN25 to DN600 [1" to 24"].
- Flanged connection pressure class for DN25 to DN300 [1" to 12"]: PN6, PN10, PN16 and class 150, DN350 to DN400 [14" to 16"]: PN10, PN16 and class 150, DN450 to DN600 [18" to 24"]: PN10, PN16 or class 150.
- Maximum medium temperature depending on the lining: EPDM: -10°C to +110°C, NBR: -10°C to +80°C, FPM (FKM): -10°C to +180°C.

Construction

- Wafer connection type.
- Design in accordance with EN 593, API 609 and ASME B16.34.
- Standard design with pressure class PN16 for DN25 to DN150 and PN10 or PN16 for DN200 to DN600.
- Construction length in accordance with EN 558 series 20, ISO 5752 series 20 and API 609 category A.
- Suitable for fitting with flanges in accordance with EN 1092-1 (flange type 11) and ASME B16.5.
- Bi-directional bubble-tight sealing in accordance with EN 12266 and API 598.

Options

- Manually operated, worm gearbox, pneumatic, electric or (electro-) hydraulic actuators.
- Position feedback for manually operated or automated valves.
- Certified in accordance DVGW [gas], with figure

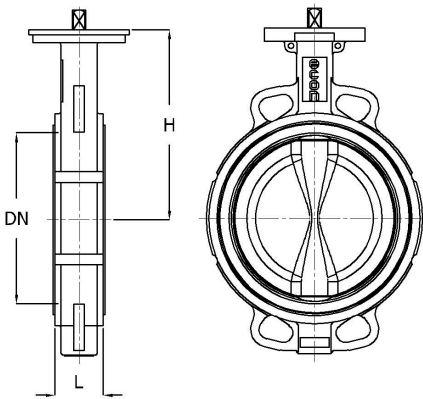
Disclaimer: The content of this document has been composed with the utmost care. However, it is possible that certain information changes over time, becomes inaccurate or incomplete. ERIKS does not guarantee that the information provided on this document is up to date, accurate and complete; the information provided is not intended to be advice. ERIKS shall never be liable for damage resulting from the use of the information provided.

67301.

- PTFE-coated EPDM lining in accordance with EC 1935 and FDA with figure 6730TFM.

Size table:

DN	H mm	L mm	Weight kg
DN32	115	32	1.7
DN40	115	33	2
DN50	143	43	2.7
DN65	156	46	3.6
DN80	162	46	3.9
DN100	177	52	5
DN125	190	56	7
DN150	205	56	8
DN200	236	60	13.2
DN250	267	68	19
DN300	308	78	31
DN350	368	78	42
DN400	400	102	63
DN450	422	114	72
DN500	480	127	100
DN600	562	154	190



DN	Liner	Pressure and temperature range		
		Pressure rating	Temperature range	Max. working pressure
DN25-DN300	NBR or EPDM	PN16	NBR -10°/+80°C, EPDM -10°/+110°C	16 bar
DN200-DN600	NBR or EPDM	PN10	NBR -10°/+80°C, EPDM -10°/+110°C	10 bar

Nominal inner diameter	Pressure rating	Pressure rating flange	Face to Face length mm	Material liner	Spindle material	Quality class spindle	Minimum medium temperature [continuous] °C	Maximum medium temperature [continuous] °C	Article
DN32 - 1.1/4"	PN16	PN6/10/16 and Class 150	32	EPDM	Stainless steel	1.4006	-10	110	13331076
DN32 - 1.1/4"	PN16	PN6/10/16 and Class 150	32	NBR	Stainless steel	1.4006	-10	80	13331087
DN40 - 1.1/2"	PN16	PN6/10/16 and Class 150	33	EPDM	Stainless steel	1.4006	-10	110	13331078
DN40 - 1.1/2"	PN16	PN6/10/16 and Class 150	33	NBR	Stainless steel	1.4006	-10	80	13331088
DN50 - 2"	PN16	PN6/10/16 and Class 150	43	EPDM	Stainless steel	1.4006	-10	110	13331079

Disclaimer: The content of this document has been composed with the utmost care. However, it is possible that certain information changes over time, becomes inaccurate or incomplete. ERIKS does not guarantee that the information provided on this document is up to date, accurate and complete; the information provided is not intended to be advice. ERIKS shall never be liable for damage resulting from the use of the information provided.

Nominal inner diameter	Pressure rating	Pressure rating flange	Face to Face length mm	Material liner	Spindle material	Quality class spindle	Minimum medium temperature (continuous) °C	Maximum medium temperature (continuous) °C	Article
DN50 - 2"	PN16	PN6/10/16 and Class 150	43	NBR	Stainless steel	1.4006	-10	80	13331089
DN65 - 2.1/2"	PN16	PN6/10/16 and Class 150	46	EPDM	Stainless steel	1.4006	-10	110	13331080
DN65 - 2.1/2"	PN16	PN6/10/16 and Class 150	46	NBR	Stainless steel	1.4006	-10	80	13331090
DN80 - 3"	PN16	PN6/10/16 and Class 150	46	EPDM	Stainless steel	1.4006	-10	110	13331081
DN80 - 3"	PN16	PN6/10/16 and Class 150	46	NBR	Stainless steel	1.4006	-10	80	13331091
DN100 - 4"	PN16	PN6/10/16 and Class 150	52	EPDM	Stainless steel	1.4006	-10	110	13331082
DN100 - 4"	PN16	PN6/10/16 and Class 150	52	NBR	Stainless steel	1.4006	-10	80	13331092
DN125 - 5"	PN16	PN6/10/16 and Class 150	56	EPDM	Stainless steel	1.4006	-10	110	13331083
DN125 - 5"	PN16	PN6/10/16 and Class 150	56	NBR	Stainless steel	1.4006	-10	80	13331093
DN150 - 6"	PN16	PN6/10/16 and Class 150	56	EPDM	Stainless steel	1.4006	-10	110	13331084
DN150 - 6"	PN16	PN6/10/16 and Class 150	56	NBR	Stainless steel	1.4006	-10	80	13331094
DN200 - 8"	PN10	PN6/10/16 and Class 150	60	EPDM	Stainless steel	1.4057	-10	110	13295818
DN200 - 8"	PN10	PN6/10/16 and Class 150	60	NBR	Stainless steel	1.4057	-10	80	13331095
DN200 - 8"	PN16	PN16	60	EPDM	Stainless steel	1.4057	-10	110	13515498
DN200 - 8"	PN16	PN16	60	NBR	Stainless steel	1.4057	-10	80	13489273
DN250 - 10"	PN10	PN6/10/16 and Class 150	68	EPDM	Stainless steel	1.4057	-10	110	13548546
DN250 - 10"	PN16	PN6/10/16 and Class 150	68	EPDM	Stainless steel	1.4057	-10	110	13548585
DN250 - 10"	PN16	PN6/10/16 and Class 150	68	NBR	Stainless steel	1.4057	-10	80	13653493
DN300 - 12"	PN10	PN6/10/16 and Class 150	78	EPDM	Stainless steel	1.4057	-10	110	13548548
DN300 - 12"	PN10	PN6/10/16 and Class 150	78	NBR	Stainless steel	1.4057	-10	80	13548550
DN300 - 12"	PN16	PN6/10/16 and Class 150	78	EPDM	Stainless steel	1.4057	-10	110	13653495
DN300 - 12"	PN16	PN6/10/16 and Class 150	78	NBR	Stainless steel	1.4057	-10	80	13653496
DN350 - 14"	PN10	PN10/16 and Class 150	78	EPDM	Stainless steel	1.4057	-10	110	13331085
DN350 - 14"	PN10	PN10/16 and Class 150	78	NBR	Stainless steel	1.4057	-10	80	13331098
DN400 - 16"	PN10	PN10/16 and Class 150	102	EPDM	Stainless steel	1.4057	-10	110	13331086
DN400 - 16"	PN10	PN10/16 and Class 150	102	NBR	Stainless steel	1.4057	-10	80	13331099
DN450 - 18"	PN10	PN10	114	EPDM	Stainless steel	1.4057	-10	110	13331113
DN450 - 18"	PN10	PN10	114	NBR	Stainless steel	1.4057	-10	80	13331116
DN500 - 20"	PN10	PN10	127	EPDM	Stainless steel	1.4057	-10	110	13331114
DN500 - 20"	PN10	PN10	127	NBR	Stainless steel	1.4057	-10	80	13331117
DN600 - 24"	PN10	PN10	154	EPDM	Stainless steel	1.4057	-10	110	13331115
DN600 - 24"	PN10	PN10	154	NBR	Stainless steel	1.4057	-10	80	13331118

Disclaimer: The content of this document has been composed with the utmost care. However, it is possible that certain information changes over time, becomes inaccurate or incomplete. ERIKS does not guarantee that the information provided on this document is up to date, accurate and complete; the information provided is not intended to be advice. ERIKS shall never be liable for damage resulting from the use of the information provided.