



## LVF Gate valve Type: 1755 Steel Socket weld Class 800

Forged steel gate valve, OS&Y, with bolted bonnet and socket weld ends, Class 800

### Characteristics

**Type:** 1755

**Norm:** ASME

**Housing material:** Steel

**Surface protection:** Phosphated

**Connection:** Socket weld

**Standard welding connection:** ASME B16.11

**Full bore:** No

**Stem seal type:** Gland seal

**Primary spindle seal material:** Graphite

**Material bonnet:** ASTM A105N

**Bonnet gasket material:** Stainless steel 316 SW  
Graphite filled

**Actuator material:** Steel

**Minimum medium temperature (continuous):** -29 °C

**Maximum medium temperature (continuous):** 426 °C

**Maximum pressure difference at 20 °C:** 136 bar

**Approvals:** API 624

### Technical Information

- Design: API602, ASME B16.34.
- Testing: API598.
- Emission standard: API 624.
- NACE MR01-75, MR01-03.

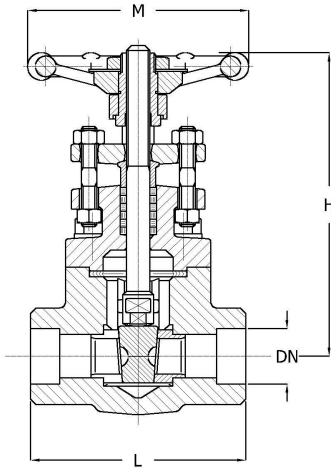
### Options

- Available in stainless steel; type 1766.
- Available with NPT thread connections; type 1750.
- Available with welded bonnet and bellows sealed; type 1759.
- Available in Class 1500.
- Available in other materials.
- Available for cryogenic or high temperature applications.
- Equipped with an electric, pneumatic or hydraulic actuator.

### Application

- Refineries and (petro-) chemical procesinstallations.
- Oil & gas industry.
- Steam and oil [for thermal oil: bellows sealed valve].
- Neutral liquids and gases.
- Recommended in: Chemical, Petrochemical and Refining

Size table:



DN	H	L	M	Weight
	mm	mm	mm	kg
1/2" [15]	145	80	80	1.8
3/4" [20]	155	90	80	1.8
1" [25]	185	110	80	3.6
1.1/2" [40]	255	127	120	7.5
2" [50]	277	130	120	9.8

Pressure and temperature table													
-29/38	50	100	150	200	250	300	350	400	425	450	500	538	[°C]
136.2	133.7	124.3	120.2	116.8	106.2	103.2	100.2	92.6	76.7	61.3	31.4	15.7	[bar]
ASTM A105N is not recommended for long-term use above 425 °C.													
Check the above values and any additional comments with API602.													

Material quality	Nominal inner diameter	Pressure rating	Face to Face norm	Face to Face length	Operation	Type of bonnet	Sealing	Wedge material	Spindle material	Article	
				mm							
ASTM A105N	1/2" [15]	Class 800	Manufacturer standard	80	Hand wheel, non-rising with rising stem	Bolted bonnet	Trim 8	ASTM A479 410	ASTM A479 410	13614977	
ASTM A105N	3/4" [20]	Class 800	Manufacturer standard	90	Hand wheel, non-rising with rising stem	Bolted bonnet	Trim 8	ASTM A479 410	ASTM A479 410	13614980	
ASTM A105N	1" [25]	Class 800	Manufacturer standard	110	Hand wheel, non-rising with rising stem	Bolted bonnet	Trim 8	ASTM A479 410	ASTM A479 410	13614981	
ASTM A105N	1.1/2" [40]	Class 800	Manufacturer standard	127	Hand wheel, non-rising with rising stem	Bolted bonnet	Trim 8	ASTM A479 410	ASTM A479 410	13614982	
ASTM A105N	2" [50]	Class 800	Manufacturer standard	130	Hand wheel, non-rising with rising stem	Bolted bonnet	Trim 8	ASTM A479 410	ASTM A479 410	13614984	

Disclaimer: The content of this document has been composed with the utmost care. However, it is possible that certain information changes over time, becomes inaccurate or incomplete. ERIKS does not guarantee that the information provided on this document is up to date, accurate and complete; the information provided is not intended to be advice. ERIKS shall never be liable for damage resulting from the use of the information provided.