



ASCO Solenoid valve 2/2 Type: 32207 series 210 brass internal thread

Characteristics

Series: 210
Type: 32207
Function: Normally closed (NC)
Actuation: Indirect-acting
Electrical connection: Plug EN 175301-803 type A
Max. viscosity: 65 mm²/s
Housing material: Brass
Sealing: NBR
Material coil housing: Epoxy
Material shorting ring: Copper
Membrane material: NBR
Working time: 100 %
Level of protection (IP value): IP65

Emergency manual operation: None

Explosion-proof: No

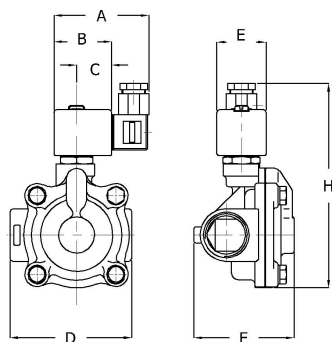
SIL certified: No

Medium temperature: From -20 °C to 85 °C

Ambient temperature: From -20 °C to 75 °C

Application

- Water.
- Hydraulic oil.
- Neutral fluids.
- Neutrale gases.



Size table:

Orifice mm	Type	Size	A mm	B mm	C mm	D mm	E mm	F mm	H mm
25	D404AC	1"	80	45	28	95	39	79	158
25	D404DC	1"	91	56	33	95	50	79	154
28	D008AC	1.1/4"	75	45	27	115	39	99	172
28	D008DC	1.1/4"	80	50	30	115	50	99	175
32	D022AC	1.1/2"	75	45	27	115	39	99	172
32	D022DC	1.1/2"	80	50	30	115	45	99	175

Size process connection	Process connection	Orifice mm	Kvs value m ³ /h	Minimum pressure difference bar	Maximum pressure difference bar	Coil type	Supply voltage	Power	Starting power	Article
1" [25]	Internal thread (BSPP)	25	11.1	0.35	16	400325-101	24V AC	6 W / 15.6 VA	34 VA	14545543
1" [25]	Internal thread (BSPP)	25	11.1	0.35	16	400625-142	24V DC	12 W [hot] - 16.8 W [cold]		14545545
1" [25]	Internal thread (BSPP)	25	11.1	0.35	16	400325-117	230V AC	6 W / 15.6 VA	34 VA	14545544
1.1/4" [32]	Internal thread (BSPP)	28	12.8	0.35	9	400325-101	24V AC	6 W / 15.6 VA	34 VA	11815127
1.1/4" [32]	Internal thread (BSPP)	28	12.8	0.35	9	400425-142	24V DC	9 W [hot] - 11.2 W [cold]		11342626
1.1/4" [32]	Internal thread (BSPP)	28	12.8	0.35	9	400325-117	230V AC	6 W / 15.6 VA	34 VA	11350881
1.1/2" [40]	Internal thread (BSPP)	32	19.3	0.35	9	400325-101	24V AC	6 W / 15.6 VA	34 VA	11815126
1.1/2" [40]	Internal thread (BSPP)	32	19.3	0.35	9	400425-142	24V DC	9 W [hot] - 11.2 W [cold]		11815129
1.1/2" [40]	Internal thread (BSPP)	32	19.3	0.35	9	400325-117	230V AC	6 W / 15.6 VA	34 VA	11815128

Disclaimer: The content of this document has been composed with the utmost care. However, it is possible that certain information changes over time, becomes inaccurate or incomplete. ERIKS does not guarantee that the information provided on this document is up to date, accurate and complete; the information provided is not intended to be advice. ERIKS shall never be liable for damage resulting from the use of the information provided.