



## ECON® Electric actuator Series: ELA60 Type: 7907EXD Explosion-proof



### Characteristics

**Series:** ELA60  
**Type:** 7907EXD  
**Transmission:** Quarter turn  
**Top flange standard:** ISO 5211  
**Square type:** Double square  
**Explosion-proof:** Yes  
**Ex-class:** II 2G Ex db IIB T4 Gb / II 2D Ex tb IIIC T135 °C Db  
**Type of regulation:** Open-close  
**Emergency manual operation:** Yes  
**Potential free switch contact:** Yes  
**Torque switch:** Yes  
**With mechanical setting indicator:** Yes  
**Material housing:** Aluminium  
**Material cover:** Aluminium  
**Surface protection:** Polyester coated  
**Material shaft:** Steel  
**Material mounting garniture:** Stainless steel  
**Min. ambient temperature:** -20 °C  
**Max. ambient temperature:** 60 °C

### Application

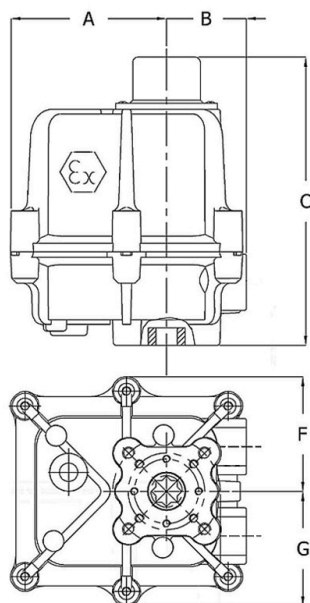
- Suitable for ball valves, ball check valves, butterfly valves and valves without stuffing box/plug valves.
- Industrial and maritime applications.

### Technical Information

- Connection voltages: 24 VDC or 24 VAC; 1 phase 50/60 Hz: 115 VAC or 230 VAC ± 10%; 3 phases 50/60 Hz: 230 VAC, 380 VAC, 440 VAC or 460 VAC ± 10%.
- Explosion-proof housing according to: II 2G Ex db IIB T4 GB, II 2D Ex tb IIC T1 35°C dB.
- IP67 protection class.
- Ambient temperature: -20°C to +80°C.
- Up to 60 Nm.
- Equipped with four limit switches.
- With standard 14-mm square connection, including inserts for 9 mm and 11 mm.
- Provided with heater for anti-condensation.

### Options

- Proportional control unit for modulating purposes (input/output 0~10 VDC 2~10 VDC/4~20 mA).
- Potentiometer (0~1 kΩ).
- Position transmitter (output 4~20 mA).
- Fieldbus systems: ASI bus, Modbus, PROFIBUS and CANopen.



Size table:

Model	A	B	C	F	G	Weight
	mm	mm	mm	mm	mm	kg
ELA60Ex	102	52	188	75	75	3

Model	Connection voltage	Mounting flange	Mounting flange 2	Square dimensions	Square dimensions 2	Square depth	Stem shape	Torque	Level of protection (IP value)	Article
				mm	mm	mm		Nm		
ELA60Ex	24V DC	F05	F07	14	11	22	Double square	58	IP67	EC079070000-DBB13
ELA60Ex	230V AC	F05	F07	14	11	22	Double square	58	IP67	EC079070000-DBB32

Disclaimer: The content of this document has been composed with the utmost care. However, it is possible that certain information changes over time, becomes inaccurate or incomplete. ERIKS does not guarantee that the information provided on this document is up to date, accurate and complete; the information provided is not intended to be advice. ERIKS shall never be liable for damage resulting from the use of the information provided.